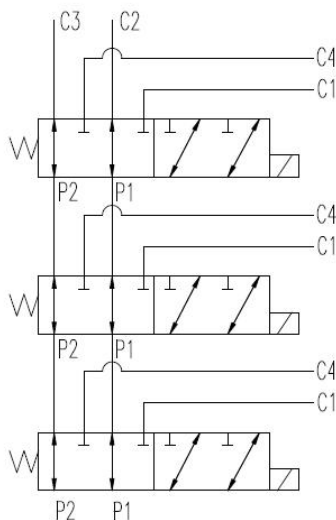


**SIX PORT SOLENOID OPERATED SELECTOR VALVE**

Page Number

	OP80S-3/8"BSPP	OP80S-1/2"BSPP
Max pressure	250bar	
Max flow rate	40L/min	60L/min
Hydraulic fluid	mineraloil	
Fluid temperature	-20~80°C	
Recommended viscosity	10~400mm <sup>2</sup>	

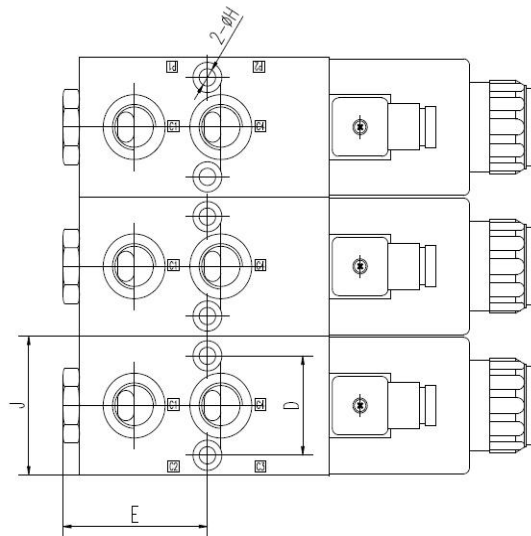

**6/2SELECTORVALVE**

The OILPATH OP80S-3/8"BSPP and OP80S-1/2"BSPP stackable 6 port/2 way change over valves are designed to be used when extra circuits are to be operated from one control lever on machines such as fork lift trucks, agricultural front end loader, telescopic handlers, and in transmission circuits.

The OILPATH selector valves have been carefully designed to meet the demands of progressive machine manufacturers for cost effective, reliable circuit selectors. The valve bodies are made from a special high quality cast iron which is machined, using advanced machining techniques, to precise tolerances, ensuring, along with the other component parts, the consistency of the finished product.

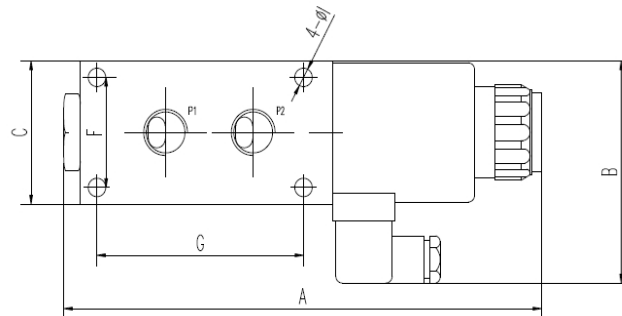
## ORDERING CODES

Part Number	Description
08103812	OP80S-3/8"BSPP 12 VOLT DC
08103824	OP80S-3/8"BSPP 24 VOLT DC
08101212	OP80S-1/2"BSPP 12 VOLT DC
08101224	OP80S-1/2"BSPP 24 VOLT DC



**STACKABLE  
CONFIGURATION**

### DIMENSIONS



	A	B	C	D	E	F	G	H	I	J
OP80S-3/8"BSPP	175.2	84	52	36	57.5	38	42	6.4	6	52
OP80S-1/2"BSPP	229	100.6	65	46	70	50	99	8	8.4	65